



SPORT BAR

TG-SB7C88138

BEFORE INSTALLATION

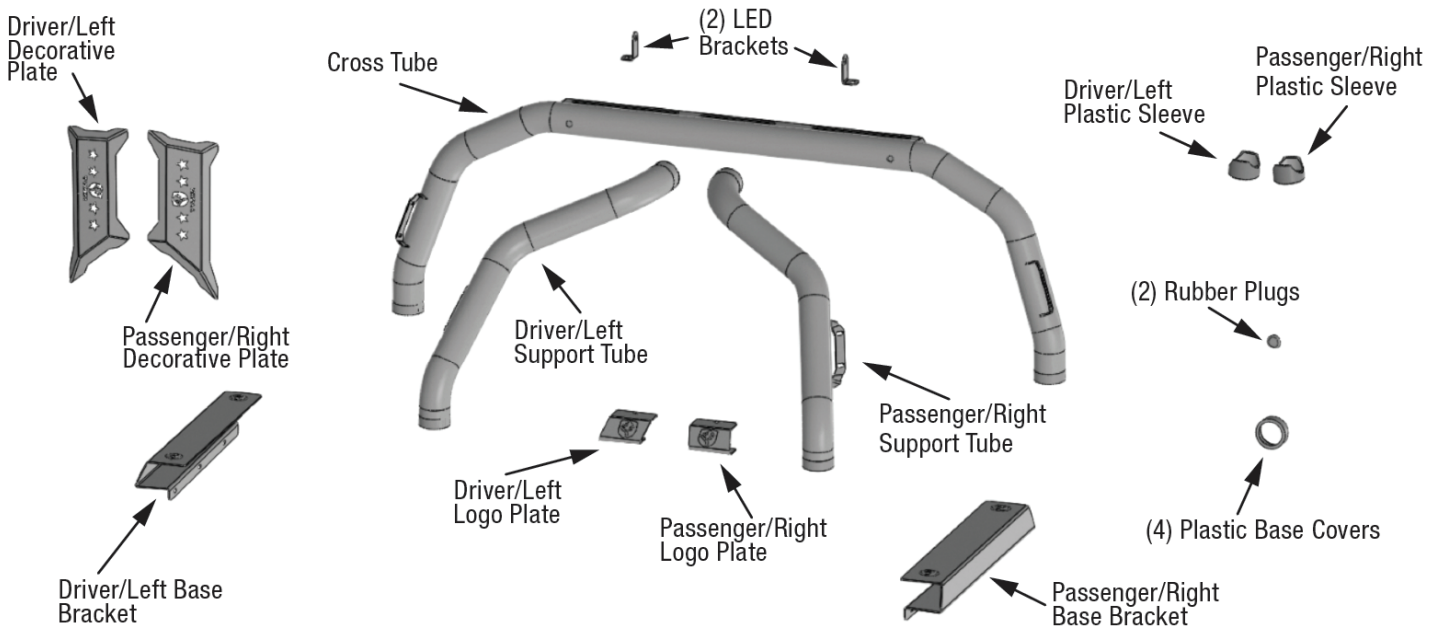
READ INSTRUCTIONS CAREFULLY BEFORE STARTING INSTALLATION. REMOVE CONTENTS FROM BOX AND VERIFY ALL PARTS ARE PRESENT. FAILURE TO IDENTIFY DAMAGE BEFORE INSTALLATION COULD LEAD TO A REJECTION OF ANY CLAIM. IF MISSING PARTS OR ANY DAMAGE FOUND, PLEASE TAKE A PICTURE FOR THE CLAIM PURPOSE. TO FILE YOUR CLAIM, PLEASE VISIT: WWW.TYGERAUTO.COM/CONTACT

TORQUE VALUES

Fastener Size	Class 8.8 Torque (ft-lbs)	Class 10.9 Torque (ft-lbs)
6mm	6-7	6-7
8mm	15-16	22-23
10mm	31-32	44-45
12mm	54-55	78-79
14mm	87-88	125-126

Parts List

- x1 Front Cross Tube
- x1 Driver/Left Support Tube
- x1 Passenger/Right Support Tube
- x1 Driver/Left Decorative Plate
- x1 Passenger/Right Decorative Plate
- x1 Driver/Left Logo Plate
- x1 Passenger/Right Logo Plate
- x2 Rubber Plugs
- x2 LED Light Bar Brackets
- x1 Driver/Left Base Bracket
- x1 Passenger/Right Base Bracket
- x1 Driver/Left Plastic Sleeve
- x1 Passenger/Right Plastic Sleeve
- x4 Plastic Base Covers
- x4 12-1.75mm x 35mm Flat Head Screws
- x2 12-1.75mm x 60mm Button Head Bolts
- x2 12mm x 24mm x 2.5mm Flat Washers
- x2 8-1.25mm x 16mm Hex Bolts
- x2 8-1.25mm x 25mm Hex Bolts
- x2 8-1.25mm x 40mm Hex Bolts
- x6 8mm Nut Plates
- x12 8mm x 24mm x 2mm Flat Washers
- x10 8mm Lock Washers
- x2 8mm Hex Nuts
- x8 6mm Flange Nuts
- x2 6mm Button Head Combo Bolts
- x1 12mm Fish Wire
- x1 8mm Hex Wrench
- x1 4mm Hex Wrench
- x2 12mm Lock Washers



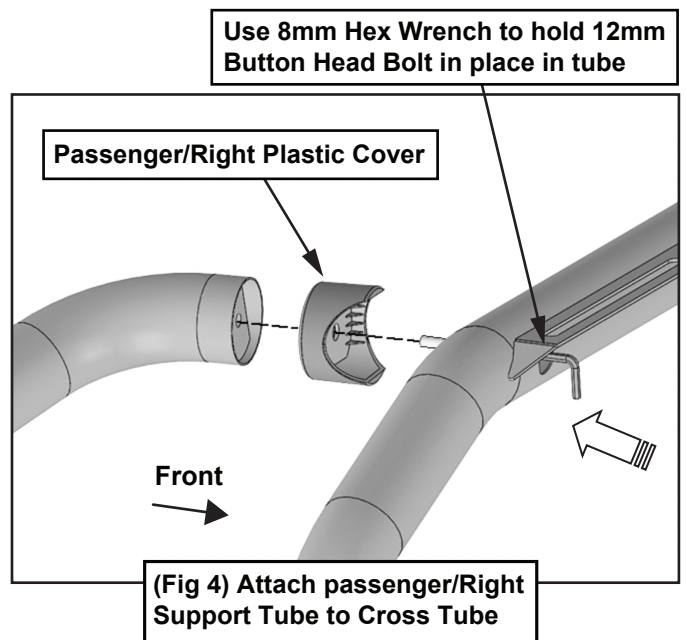
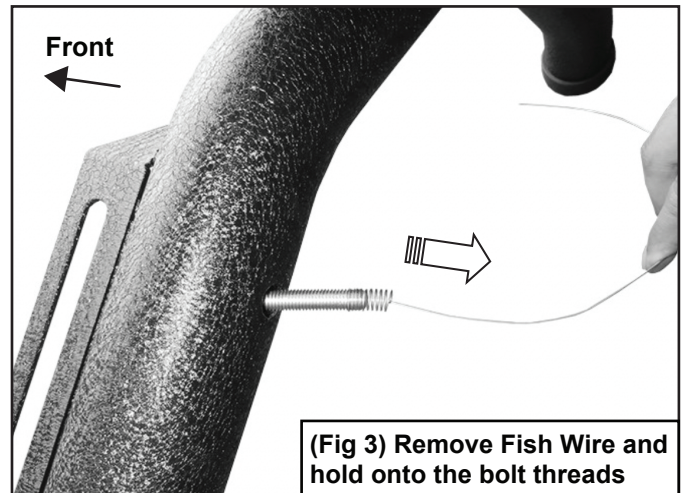
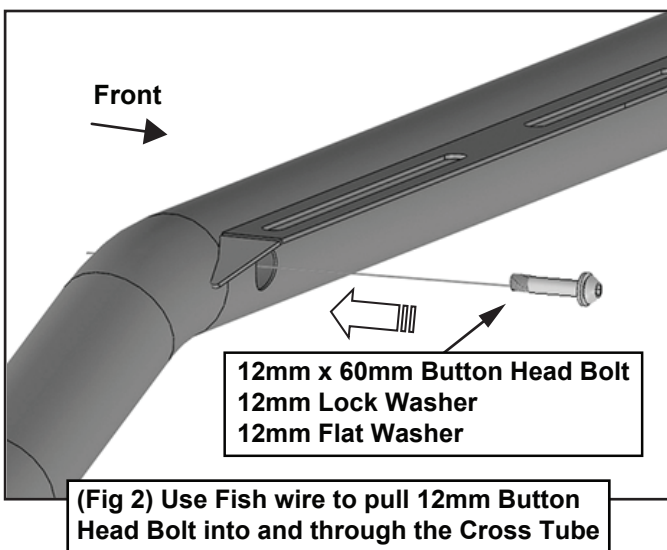
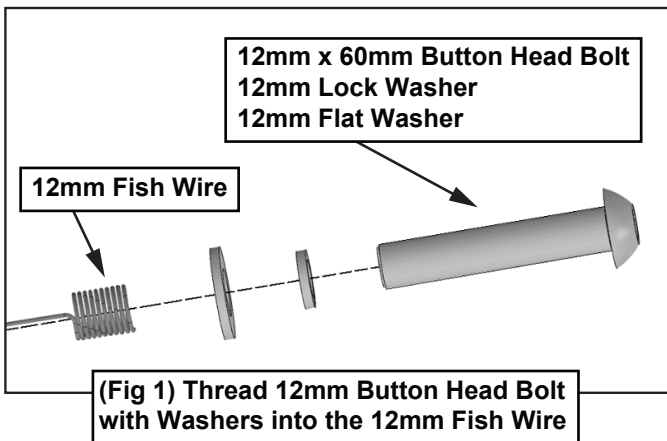


PROCEDURE:

REMOVE CONTENTS FROM BOX. VERIFY ALL PARTS ARE PRESENT. READ INSTRUCTIONS CAREFULLY BEFORE STARTING INSTALLATION. ASSISTANCE IS RECOMMENDED. DRILLING IS REQUIRED. CUTTING OF PLASTIC BED LINER (IF EQUIPPED) MAY BE REQUIRED.

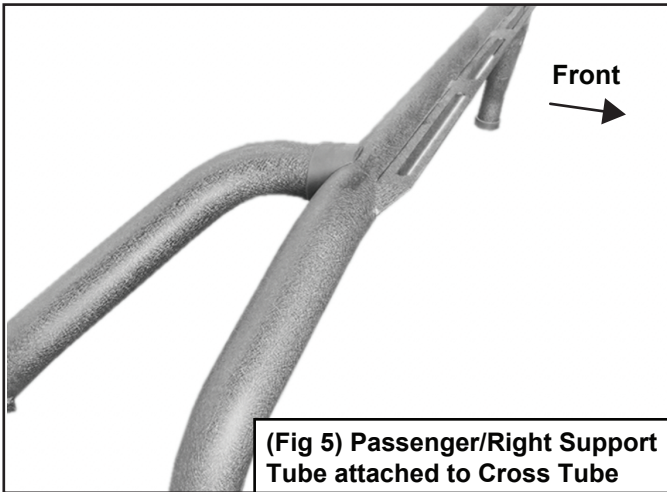
STEP 1

Select the Cross Tube. Insert (1) 12mm x 60mm Button Head Bolt into (1) 12mm Lock Washer and (1) 12mm Flat Washer. Thread the bolt assembly into the 12mm Fish Wire, (Figure 1). Slide the Fish Wire assembly through the hole in the Cross Tube and out through the back, (Figures 2 & 3). Insert 8mm Hex Wrench into the head of the bolt to hold it in place inside the tube, (Figure 4).



STEP 2

Slide the Passenger/ Right Plastic Sleeve onto the top end of the Passenger/Right Support Tube. Thread the 12mm Button Head Bolt into the Passenger/Right Support Tube, (Figures 4 & 5). DO NOT fully tighten at this time.

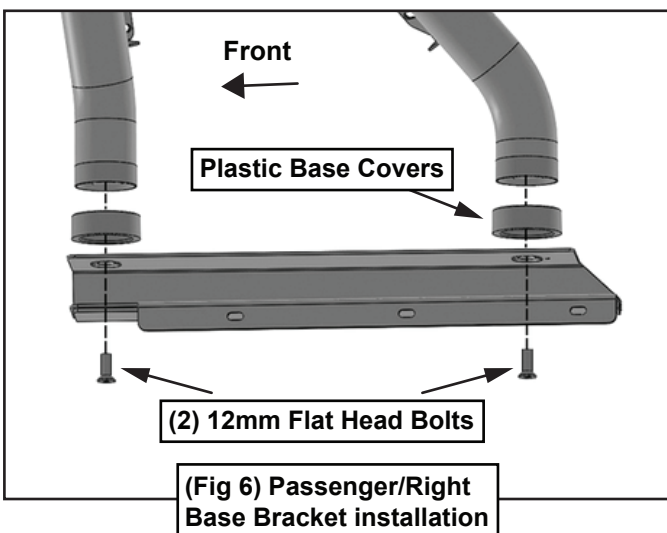


STEP 3

Repeat **STEPS 1 & 2** to attach the Driver/Left Support Tube to the back of the Cross Tube.

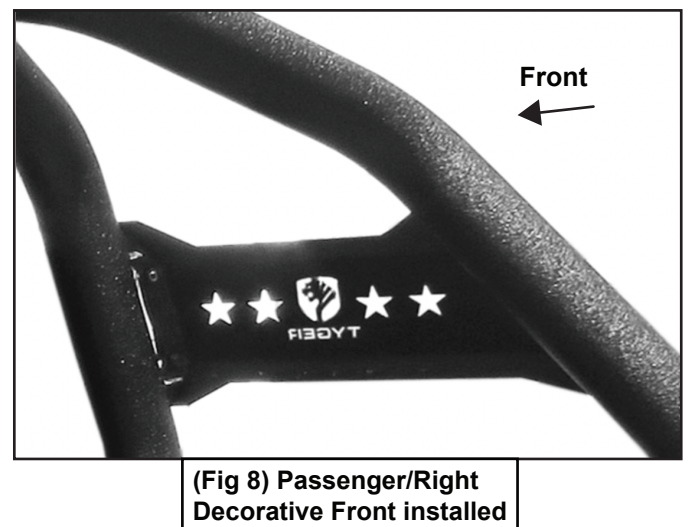
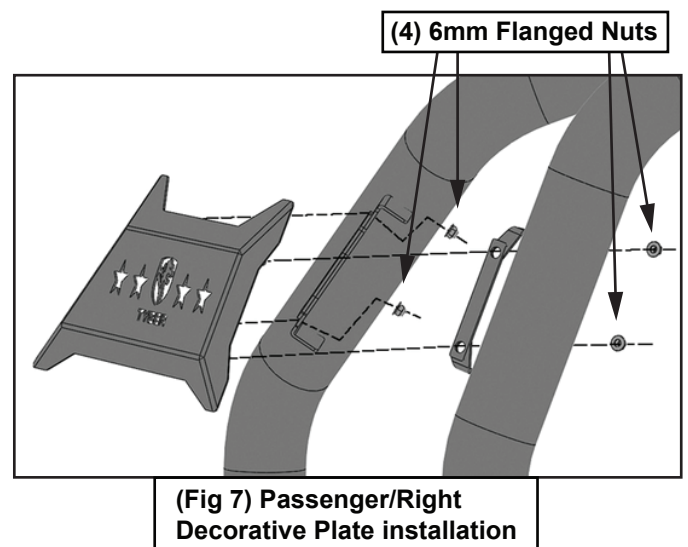
STEP 4

Select (2) Plastic Base Covers. Slide the Covers onto the bottom of the passenger/right side of the Cross Tube and Support Tube. Select the Passenger/Right Base Bracket. Attach the Base Bracket to the bottom of the Tubes with the included (2) 12mm Flat Head Bolts, (Figure 6). **DO NOT** tighten hardware at this time. Repeat this STEP to attach the Driver/Left Base Bracket.



STEP 5

Select the Passenger/Right Decorative Plate. Attach the Plate to the mounting tabs on the sides of the Tubes with the included (4) Flanged Nuts, (Figures 7 & 8). Repeat this STEP to attach the Driver/Left Decorative Plate to the Cross Tube and Support Tube.

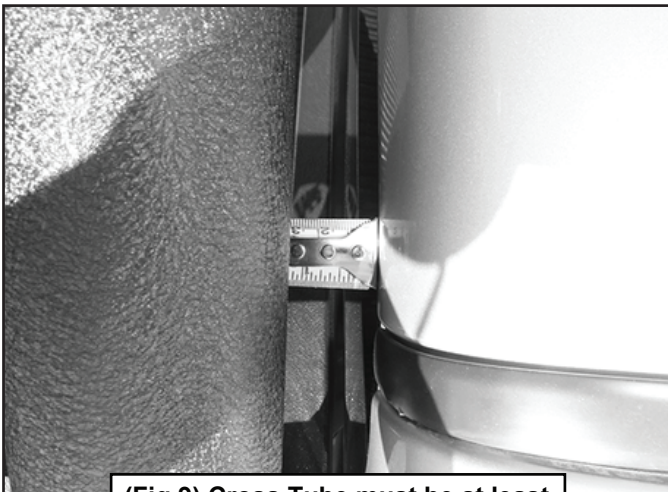




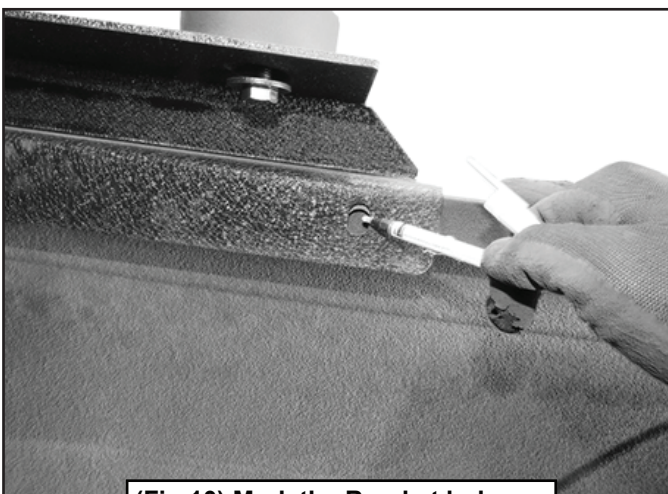
STEP 6

With assistance, place the Sports Bar assembly onto the desired position on the bed of the vehicle. The front of the Cross Tube should be at least 30mm away from the rear of the cab. Mark the holes in the Base Brackets to determine locations to drill holes in the lip of the bed, (Figures 9 & 10). Check to make sure the back of the edge of the bed is accessible before drilling. Temporarily remove the Sports Bar. Using a 5/16" drill bit, drill holes for mounting, (Figures 11 & 12).

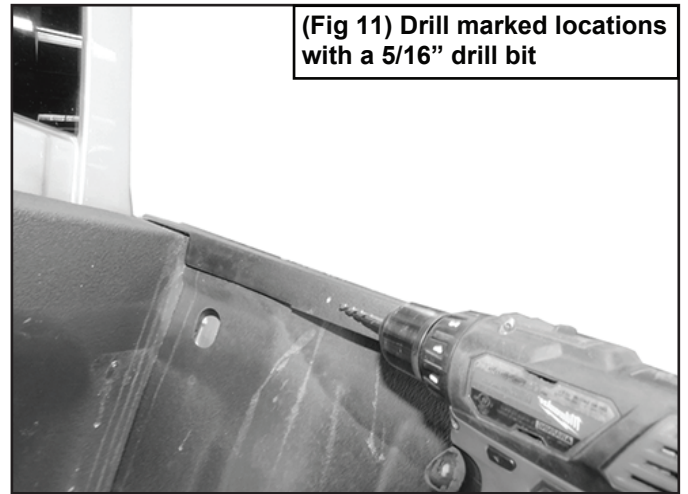
IMPORTANT: DO NOT drill too closely to the edge of the bed. Repeat this STEP for the Driver/Left side. To Prevent rust, apply a thin layer of paint over the exposed metal.



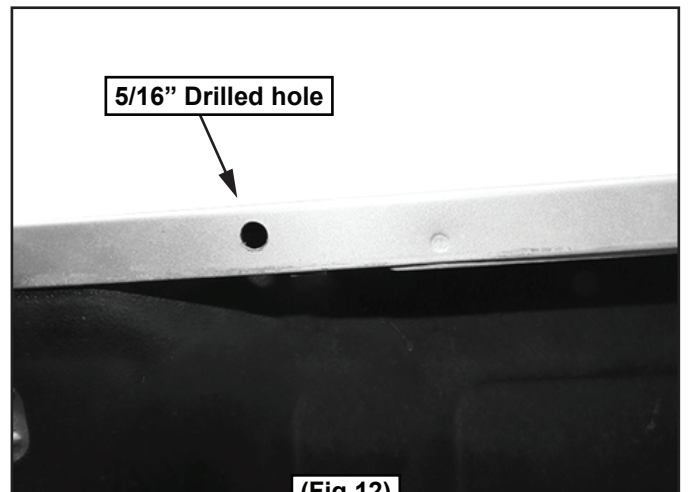
(Fig 9) Cross Tube must be at least 30mm from the rear of the cab



(Fig 10) Mark the Bracket hole locations onto the side of the bed



(Fig 11) Drill marked locations with a 5/16" drill bit



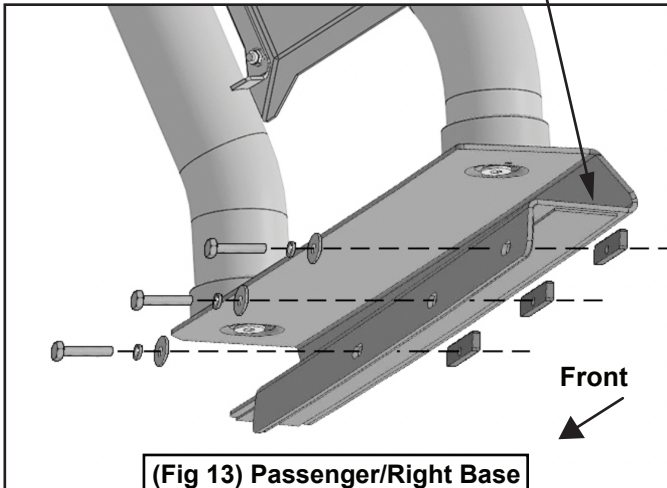
(Fig 12)

STEP 7

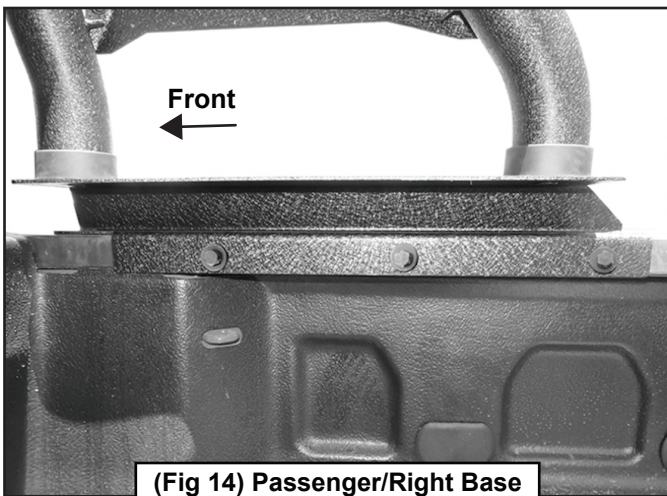
Attach Sports Bar assembly to the bed with (3) 8mm x 40mm Hex Bolts, (3) 8mm Lock Nuts, (3) 8mm Flat Washers and (3) 8mm Nut Plates, (hold nut plates up to back of edge of bed), (Figures 13 & 14). Tighten all hardware at this time.



- (3) 8mm x 40mm Hex Bolts
- (3) 8mm Lock Washers
- (3) 8mm Flat Washers
- (3) 8mm Nut Plates



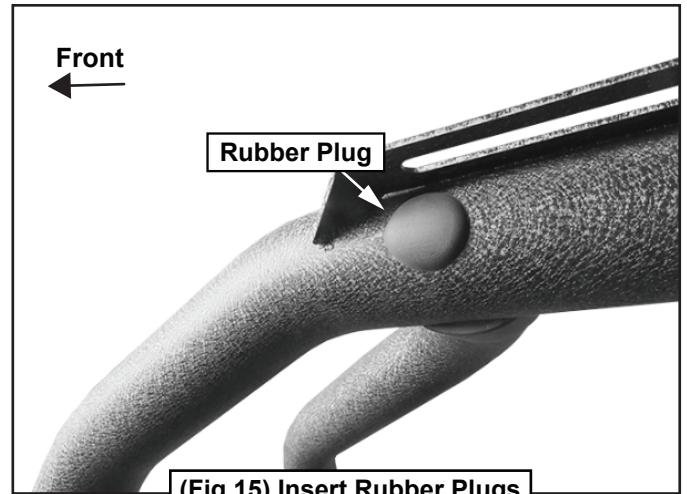
(Fig 13) Passenger/Right Base Bracket to bed installation



(Fig 14) Passenger/Right Base Bracket to bed installed

STEP 8

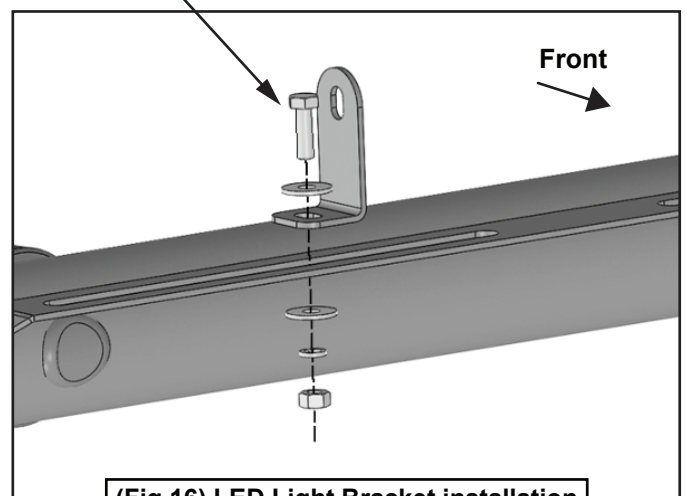
Select (2) Rubber Plugs. Insert Plugs into the front holes of the Front Cross Tube, (Figure 15).



STEP 9

Select (1) LED Light Bracket, (optional). Attach the Bracket to the top of the Sports Bar with (1) 8mm x 25mm Hex Bolt, (2) 8mm Flat Washers, (1) 8mm Lock Washer and (1) 8mm Hex Nut, (Figure 16).

- 8mm x 25mm Hex Bolt
- (2) 8mm Flat Washers
- 8mm Lock Washer
- 8mm Hex Nut



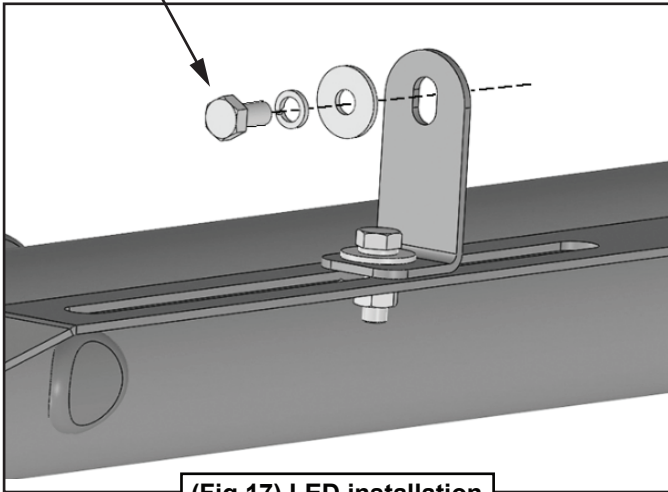
(Fig 16) LED Light Bracket installation



STEP 10

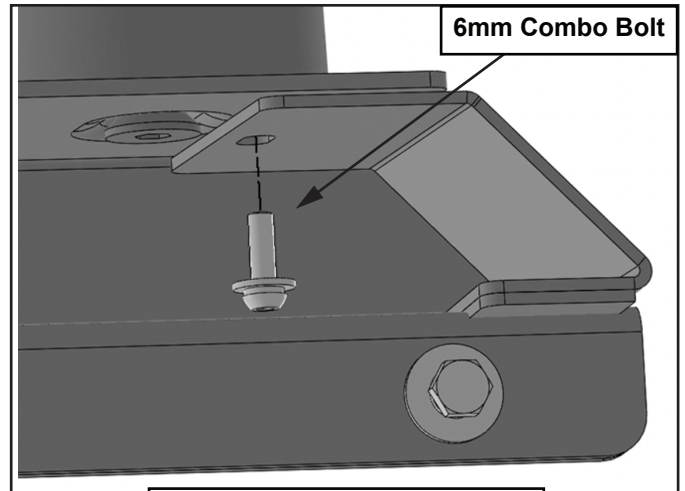
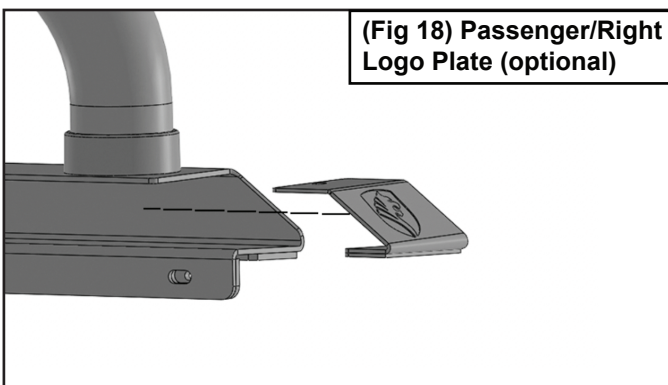
Attach LED Light Bar, (sold separately) to the LED Light Brackets with (2) 8mm x 16mm Hex Bolts, (2) 8mm Lock Washers and (2) 8mm Flat Washers, (Figure 17).

8mm x 16mm Hex Bolt
8mm Lock Washer
8mm Flat Washer

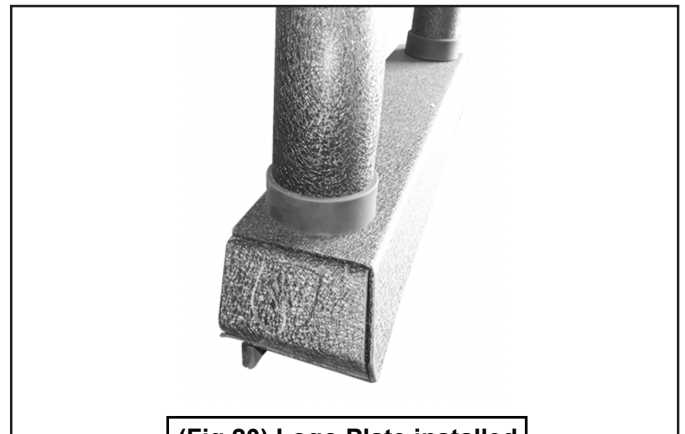


STEP 11

(OPTIONAL, if a Tonneau cover is installed, skip this step) Locate the threaded mounting hole on the inside of the Base Brackets for the Passenger/Right Logo Plate. Attach Plate with one 6mm Combo Bolt, (Figures 18—20).



(Fig 19) Passenger/Right Logo Plate installation (Optional)



STEP 12

Do periodic inspections to the installation to make sure that all hardware is secure and tight.